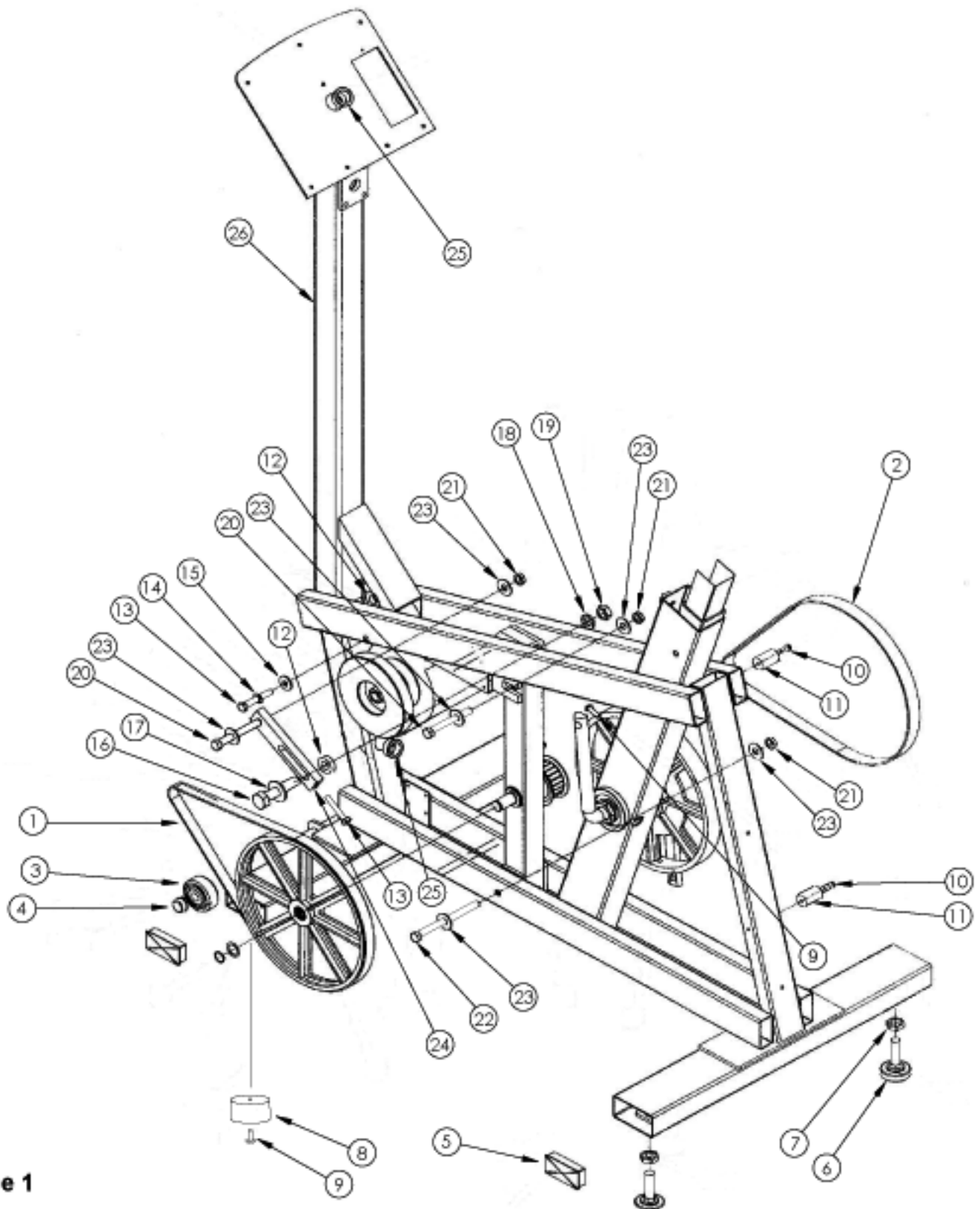
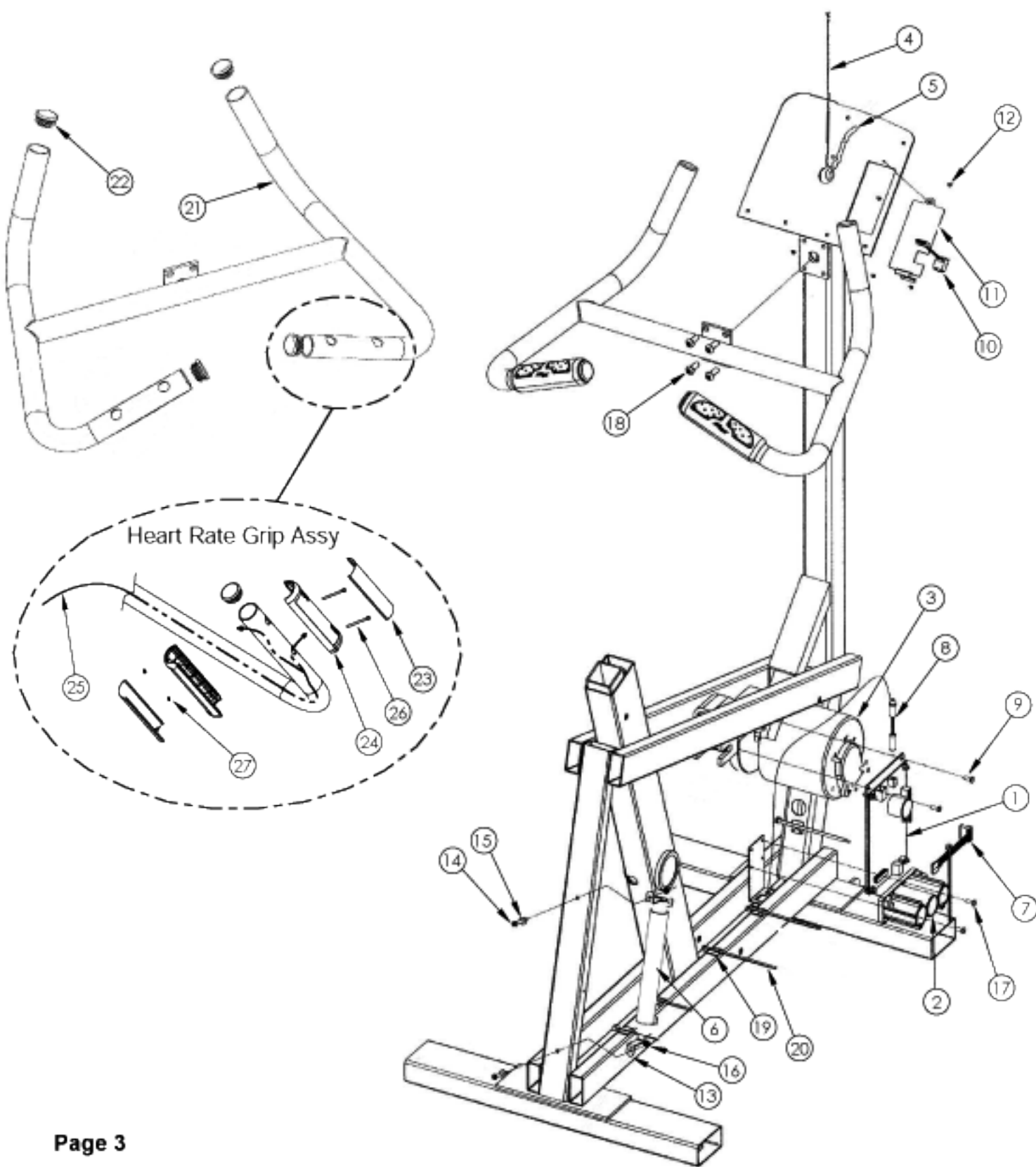


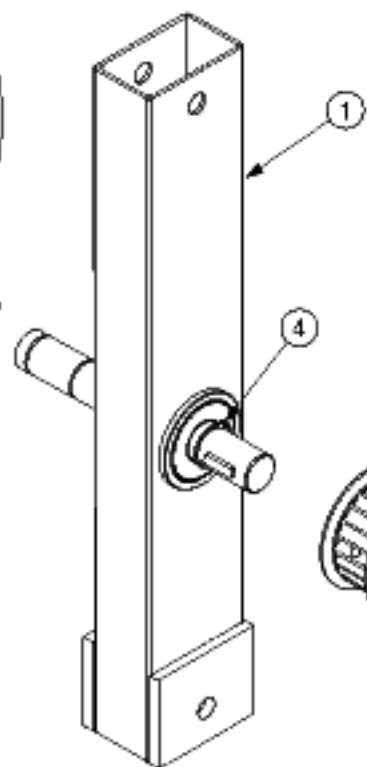
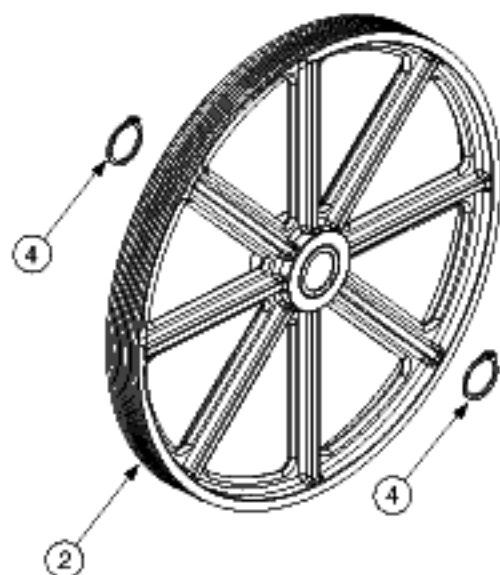
# 5300 Frame Assy



# 5300 Electrical Assy



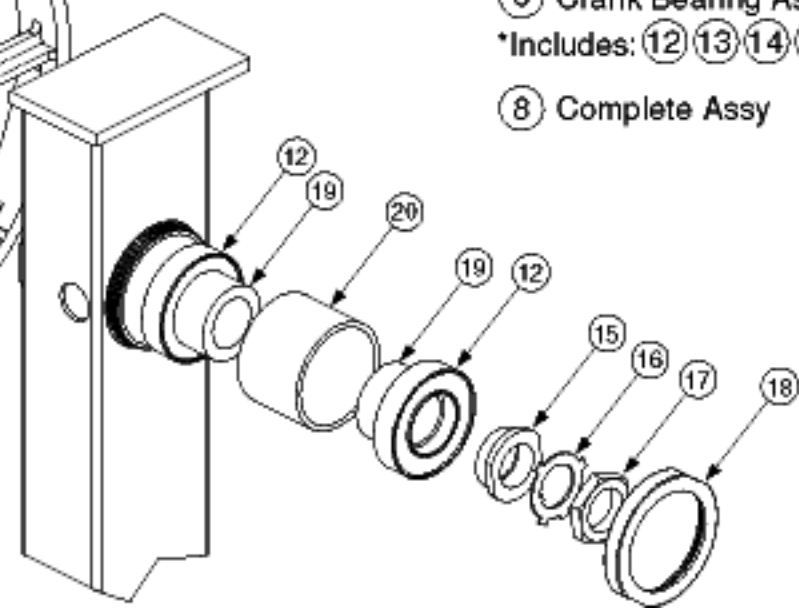
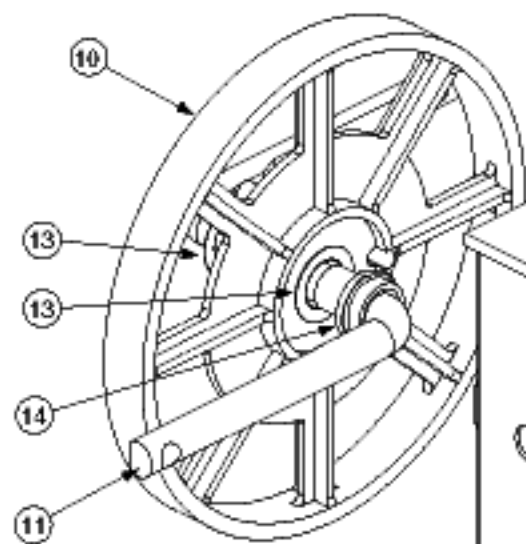
# Crank & Transfer Assy's



## Transfer Assy\*

① Complete Assy\*

\*Includes: ① ③ ④



## Crank Assy

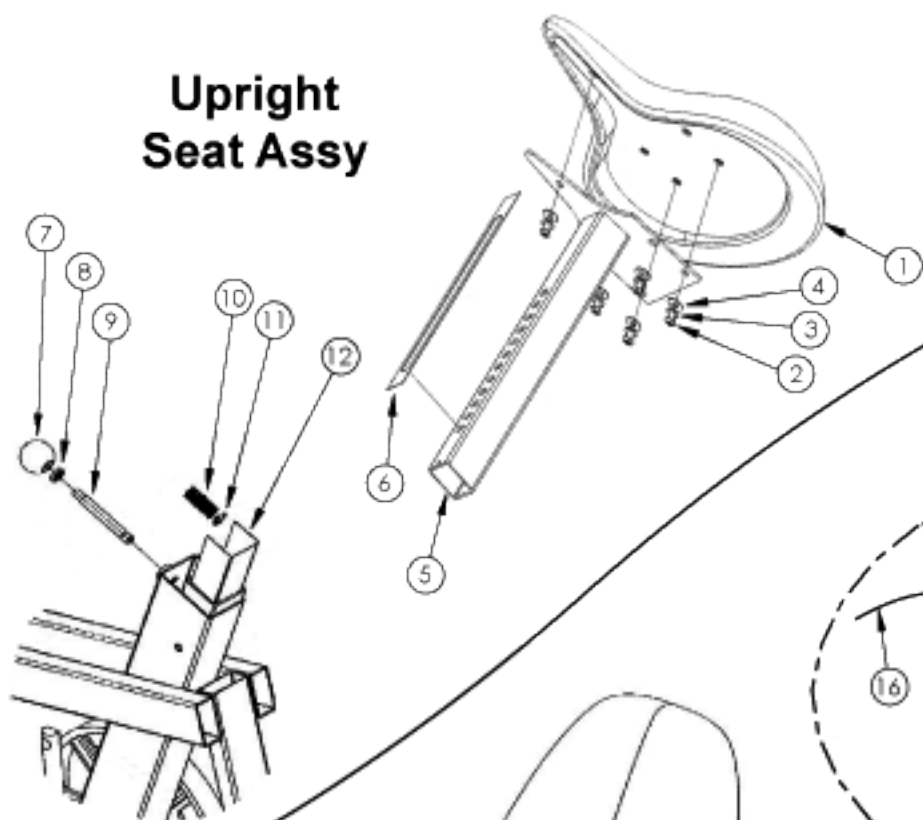
⑥ Crank Bearing Assy\*

\*Includes: ⑫ ⑬ ⑭ ⑮ ⑯ ⑰

⑧ Complete Assy

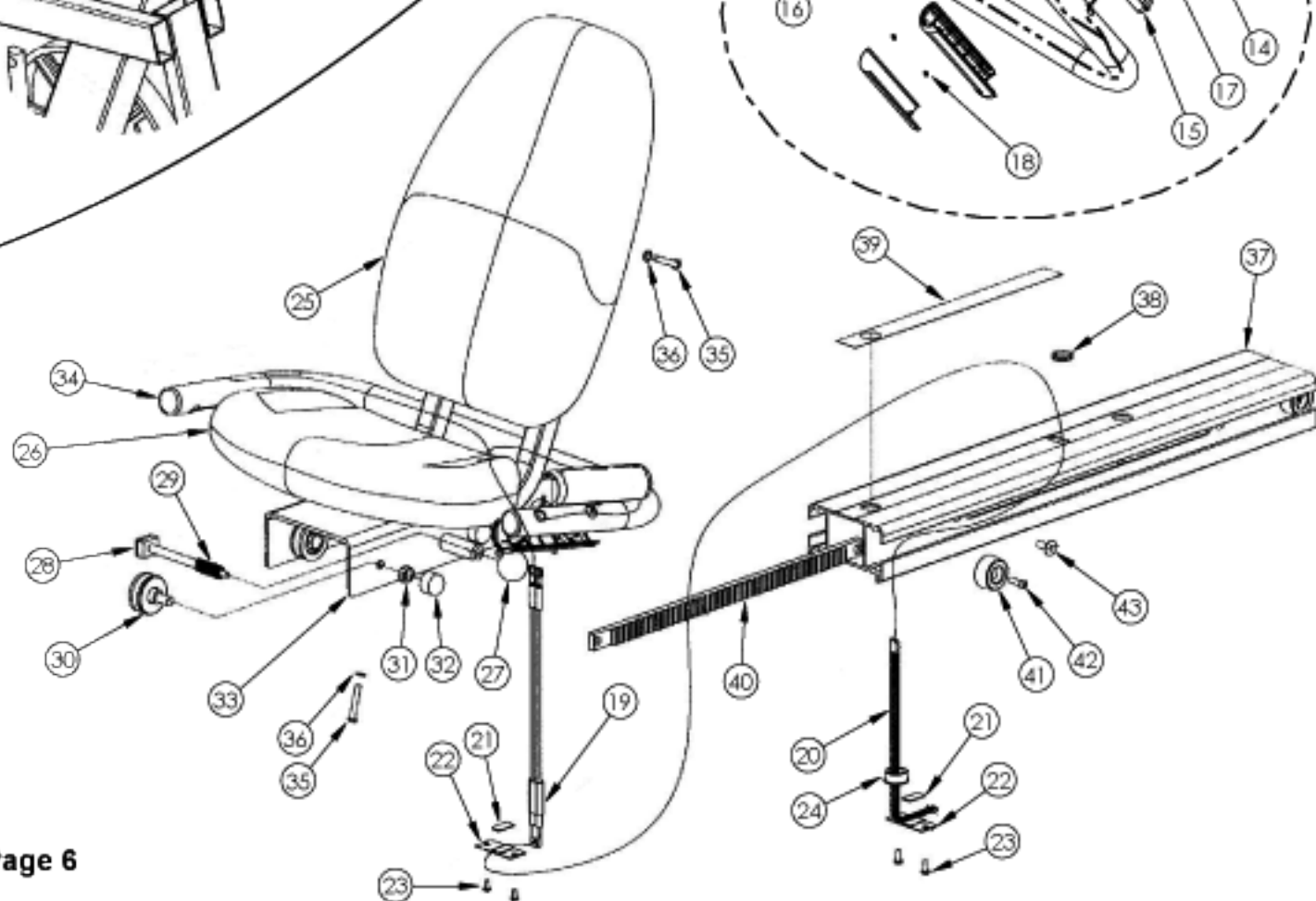
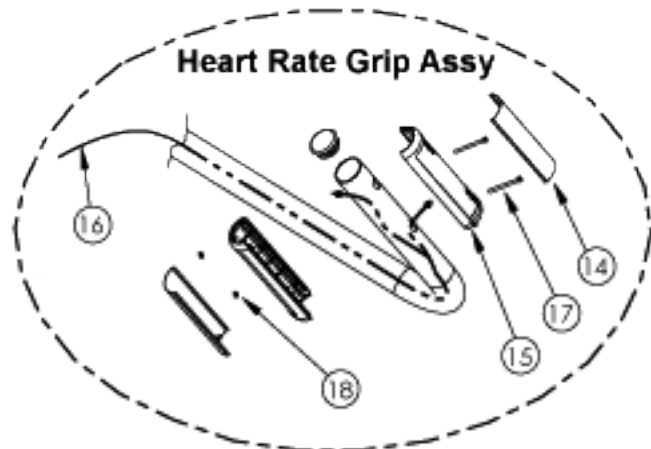
# Seat Assy's

## Upright Seat Assy

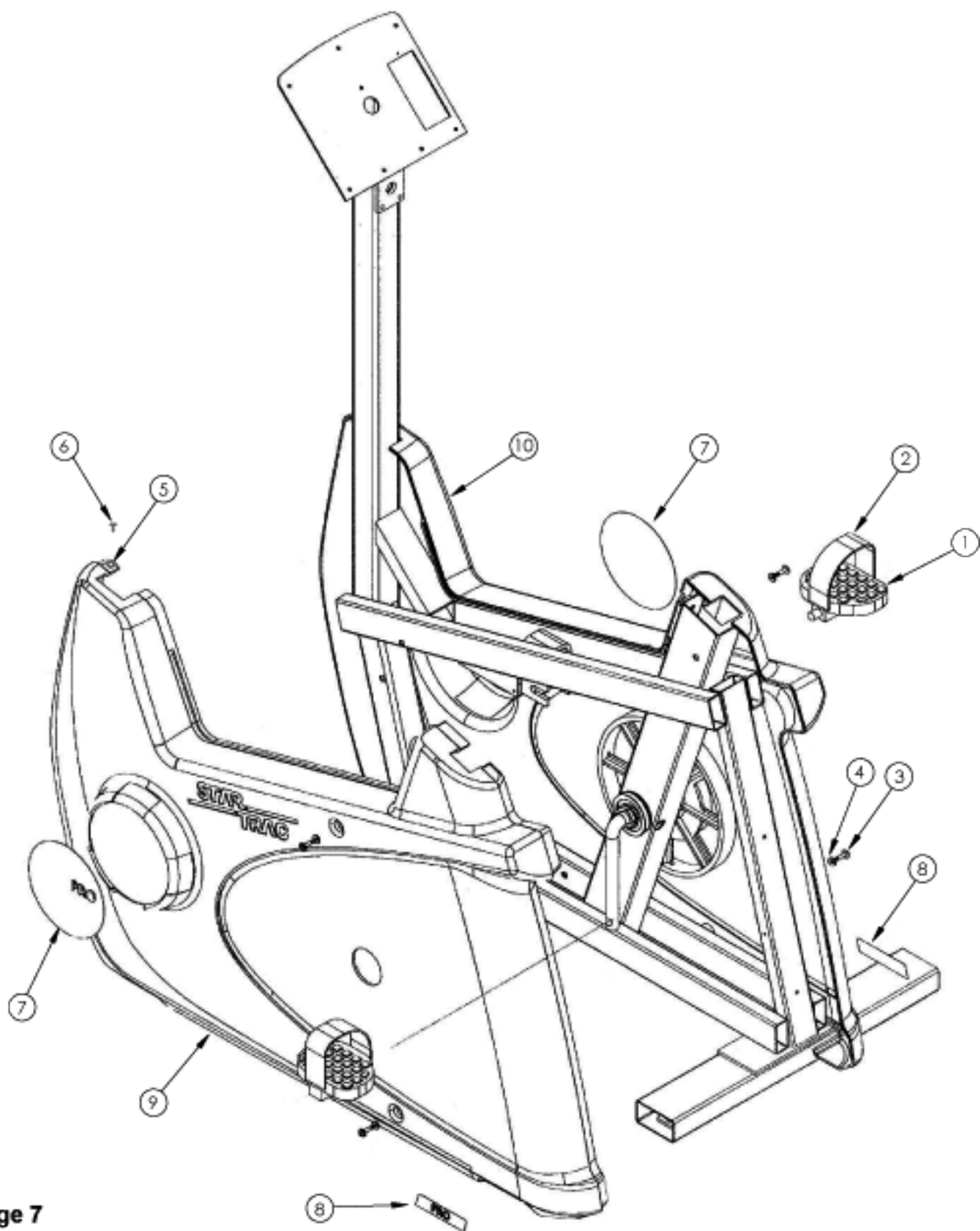


## Recumbent Seat-Track Assy

### Heart Rate Grip Assy



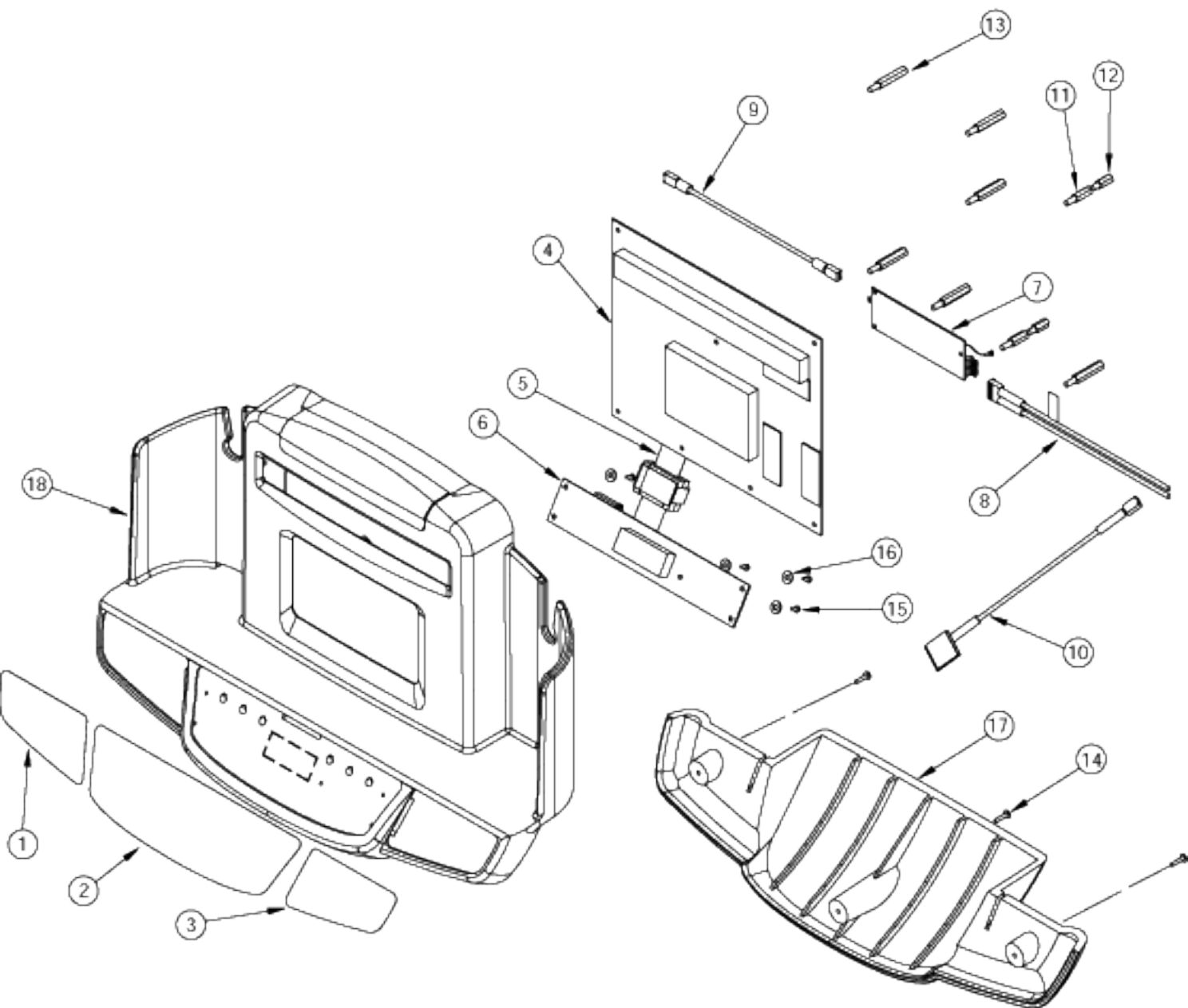
# 5300 Shroud Assy





Pro Bike Series

# Display Assy



# Warning!

Do not install, connect, swap, change or modify an Elliptical Edge, Natural Runner, Natural Runner Plus or Pro Bike LCB (Load Control Board) or Display Electronic board, without reading and understanding the "**Software Compatibility Chart**".

It can be found by clicking the Technical Info tab and selecting Basic Troubleshooting, then choose the appropriate unit.

**Severe** damage may occur to the LCB and **WILL NOT** be covered under any warranty, including 90 day warranty.